

C&K 3 Series Thumbwheel Switches



Features/Benefits

- Most complete product offering in the industry
- Spacers available to fit most panel cutouts
- Front or rear mounting options
- Illuminated models available

Typical Applications

- Test & measurement equipment
- Industrial equipment
- Computer devices

Specifications

CONTACT RATING:

CARRY: 1 AMP continuous.
SWITCH: 100 mA max.

OPERATING VOLTAGE: 50 mV to 28 V DC or 120 V AC.

ELECTRICAL LIFE: 100,000 actuations.

CONTACT RESISTANCE: Below 100 m Ω typ. initial @
2-4 V DC, 100 mA.

INSULATION RESISTANCE: 10⁹ Ω min.

DIELECTRIC STRENGTH: 500 Vrms min. @ sea level
between common terminal and any output.

OPERATING TEMPERATURE: -10°C to 65°C.

Materials

HOUSING: ABS plastic.

THUMBWHEEL: ABS plastic.

ROTOR CONTACTS: Precious metal on copper alloy.

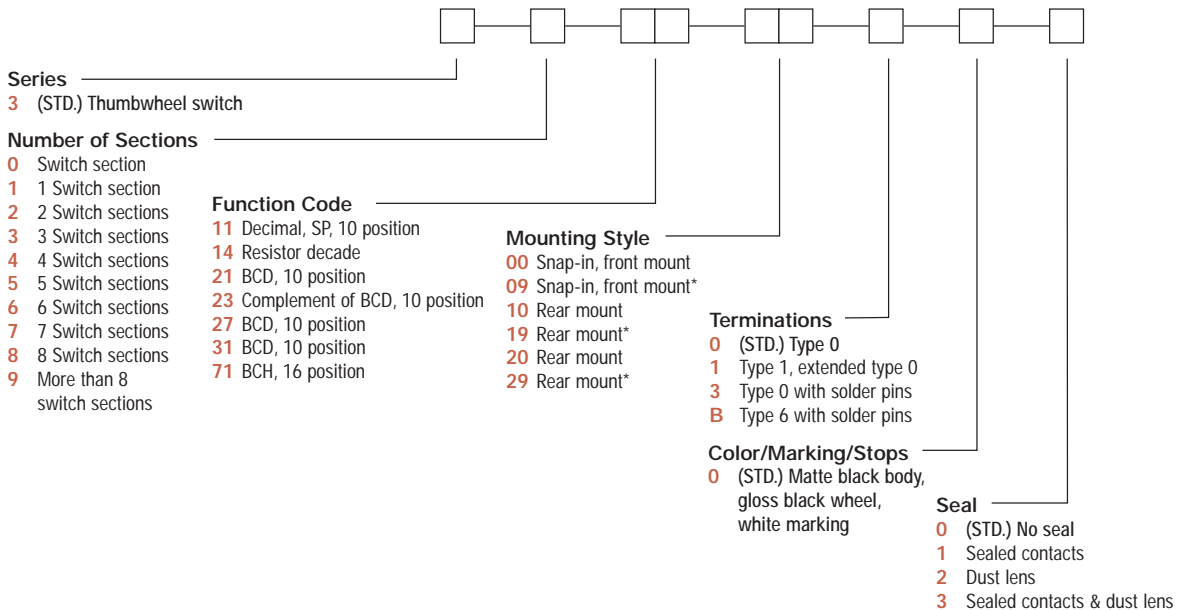
STATOR CONTACTS: Hard gold over nickel over copper
on epoxy fiberglass.

NOTE: Specifications and materials listed above are for switches with standard options. For information on specific and custom switches, consult Customer Service Center.

Build-A-Switch

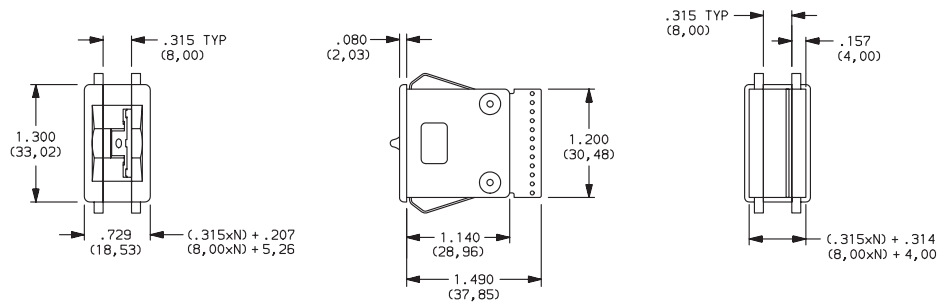
To order, simply select desired option from each category and place in the appropriate box. Available options are shown and described on pages M-9 thru M-12. For additional options not shown in catalog, consult Customer Service Center.

Consult factory for illumination availability.



SERIES

3 (STD.) THUMBWHEEL SWITCHES



NUMBER OF SECTIONS

- 0 Switch section only, no assembly. Blank bodies are considered sections; endplates are not sections. Must be ordered with 09 or 19 mounting style options, see pages M-10 and M-11.
- 1-8 Number of switch sections in assembly, includes endplates.
- 9 More than 8 switch sections, specify on CONFIGURATION FORM, page M-15 and consult Customer Service Center.

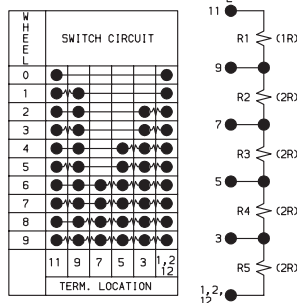
NOTE: Endplates and blank sections available separately, see pages M-13 and M-14.

FUNCTION CODE

- 11 DECIMAL-1 POLE; 10 POSITION
- 14 RESISTOR DECADE; 1-2-2-2-2 CODE (RESISTORS NOT SUPPLIED)
- 21 BCD 1-2-4-8; 10 POSITION

W H E E L	SIGNALS CONNECTED TO COMMON SIGNAL C										
	0	1	2	3	4	5	6	7	8	9	
0	●										
1		●									
2			●								
3				●							
4					●						
5						●					
6							●				
7								●			
8									●		
9										●	
	2	3	4	5	6	7	8	9	10	11	12
	TERM. LOCATION										

Available Terminations: 0, 1, 3
See fig. 1, page M-12.



Available Terminations: 1
See fig. 1, page M-12.

W H E E L	SIGNALS CONN. TO COMMON SIGNAL C				
	1	2	4	8	C
0					
1	●				
2		●			
3			●		
4				●	
5					●
6					
7					
8					
9					
	3	5	7	11	9
	TERM. LOCATION				

Available Terminations: 0, 1, 3
See fig. 1, page M-12.

NOTE: For terminal location diagram, see page M-12.



Dimensions are shown: IN (mm)
Dimensions subject to change

C&K 3 Series Thumbwheel Switches

FUNCTION CODE

23 COMPLEMENT OF BCD 1-2-4-8;
10 POSITION

W H F mm	SIGNALS CONN. TO			
	1	2	4	8
0	●	●	●	●
1	●	●	●	●
2	●	●	●	●
3	●	●	●	●
4	●	●	●	●
5	●	●	●	●
6	●	●	●	●
7	●	●	●	●
8	●	●	●	●
9	●	●	●	●
	3	9	11	5
	TERM. LOCATION			

Available Terminations: 0, 1, 3
See fig. 1, page M-12.

27 BCD 1-2-4-8; 10 POSITION

W H F mm	SIGNALS CONN. TO			
	1	2	4	8
0				
1				
2	●			
3	●			
4				
5	●			
6	●			
7	●			
8				
9	●			
	4	5	1	2
	TERM. LOCATION			

Available Terminations: B
See fig. 2, page M-12.

31 BCD 1-2-4-8; 10 POSITION

W H F mm	SIGNALS CONN. TO			
	1	2	4	8
0				
1	●			
2	●			
3	●			
4				
5	●			
6	●			
7	●			
8				
9	●			
	2	3	11	9
	TERM. LOCATION			

Available Terminations: 0, 1, 3
See fig. 1, page M-12.

71 BINARY CODED HEXADECIMAL,
16 POSITION

W H F mm	SIGNALS CONN. TO			
	1	2	4	8
0				
1	●			
2	●			
3	●			
4				
5	●			
6	●			
7	●			
8				
9	●			
A	●			
B	●			
C	●			
D	●			
E	●			
F	●			
	3	5	7	11
	TERM. LOCATION			

Available Terminations: 0, 1, 3
See fig. 1, page M-12.

NOTE: For terminal location diagram, see page M-12.

MOUNTING STYLE

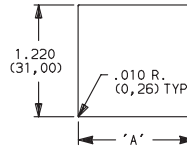
Type 0 Snap-In Front Mount

MOUNTING STYLE	DIM. 'A'
00	$(.315 \times N) + .326$ $(8,00 \times N) + (8,28)$

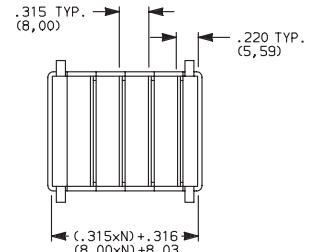
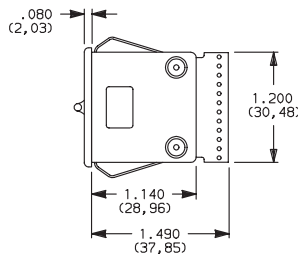
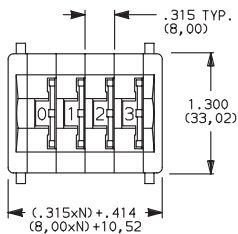
N = Number of sections.

Recommended panel thickness:
0.46-.125
(1,16-3,18)

PANEL MOUNTING



00 SWITCH ASSEMBLY W/ ENDPLATES--.315 (8,00) SECTION PITCH



N = Number of sections.

09 SWITCH SECTION ONLY--UNASSEMBLED WITHOUT ENDPLATES OR SPACERS
(Must be ordered with number of sections option "0", see Page M-9.)

NOTE: Endplates, blank sections, spacers
and assembly hardware available separately, see pages M-13 and M-14.



Third Angle
Projection
Dimensions are shown: IN (mm)
Dimensions subject to change